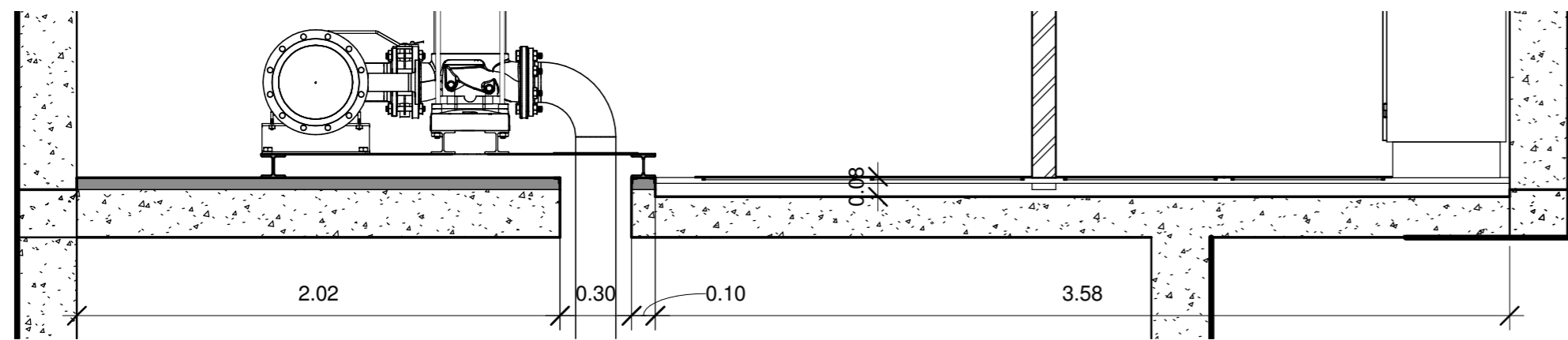
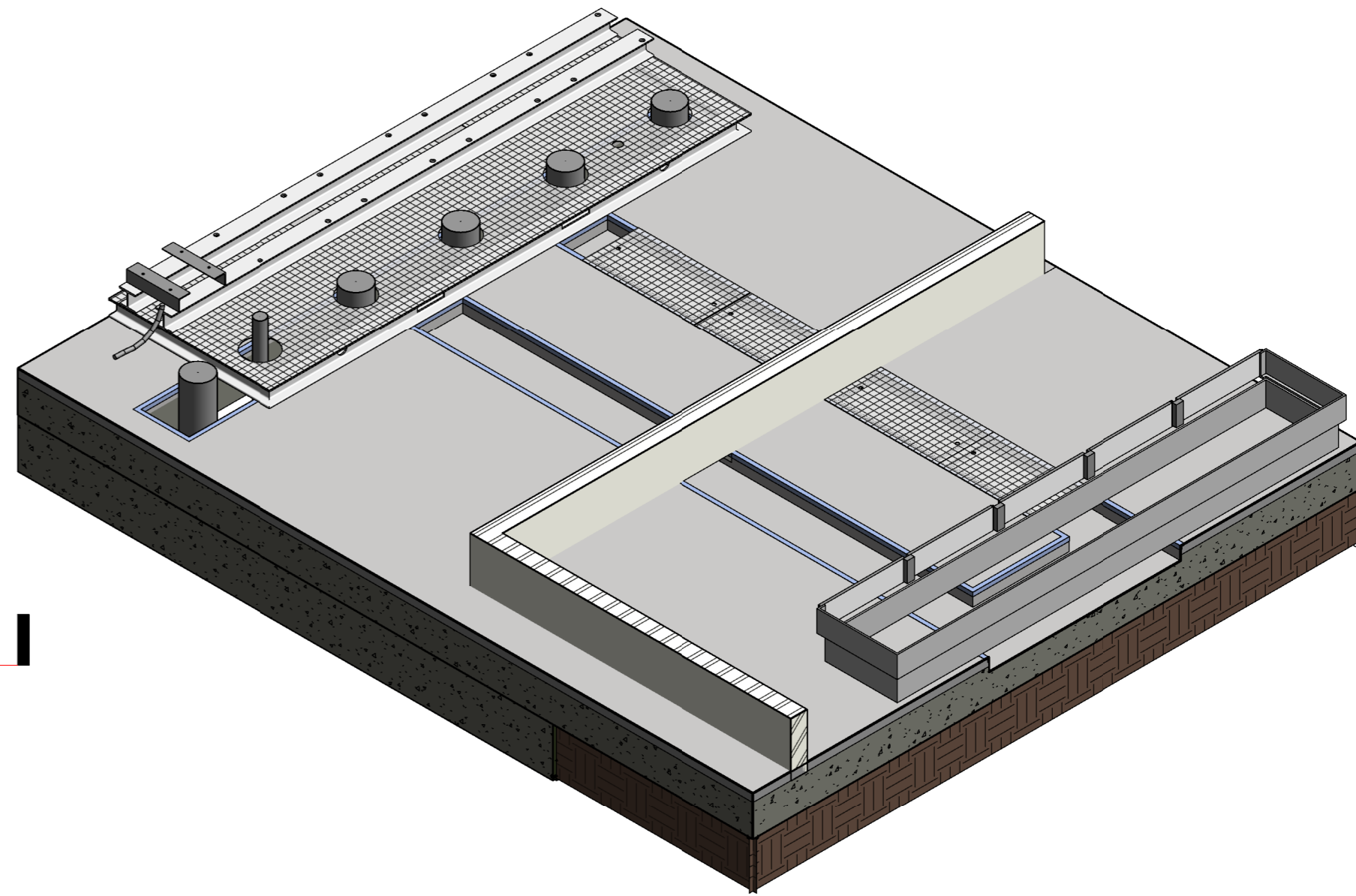


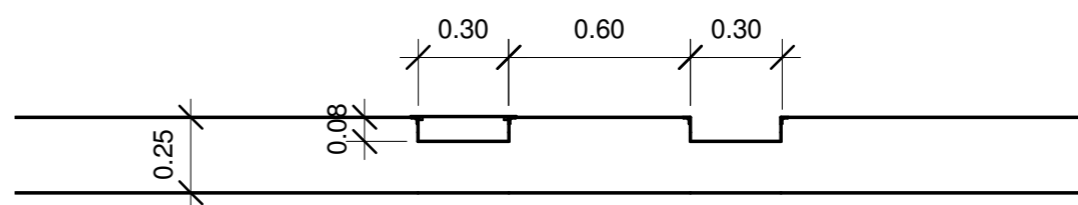
1 Plan - Technical Trays
1 : 25



2 Section 1 - Technical Trays
1 : 25



3D - Persp. - Technical Trays
4



3 Section 2 - Technical Trays
1 : 25

Observations:

Applicant:

Owner

Title:

Station Kilada Hill

Location:

Greece

Design Phase:

Execution Project - Finals Screens
Issue Date

Specialty:

Electromechanical Installations

Description:

Technical Trays

Scale: 1 : 25
Drawing n° 09

Designed: Designer
Drawn: Author
Approved: Approver

GRUNDFOS

All quotes to be confirmed on site. All written quotes have priority over these plans. The information in this drawing should not be reproduced without the author's authorization.