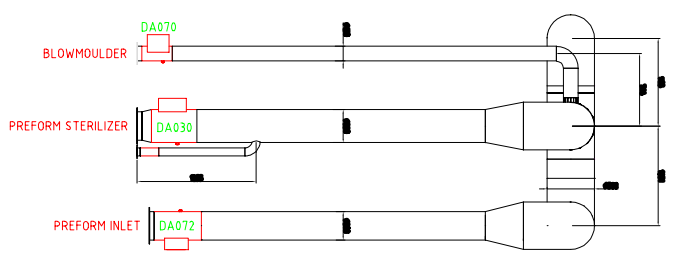
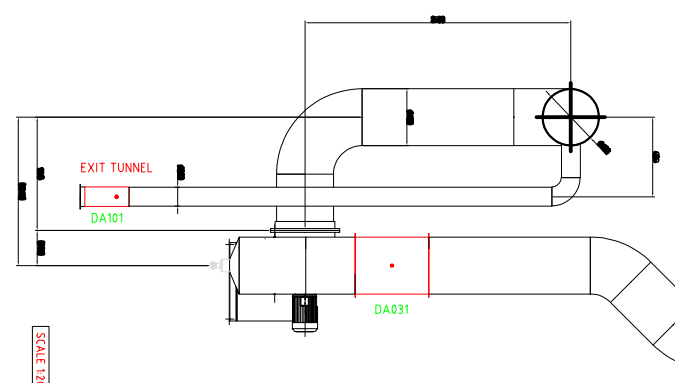
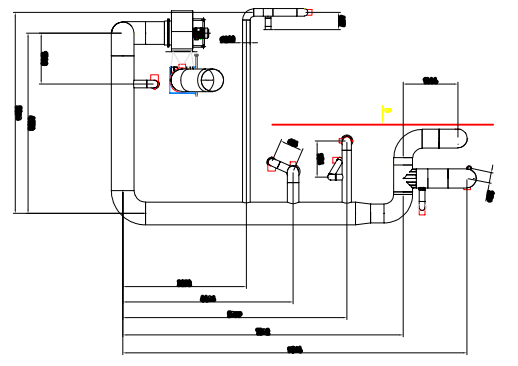


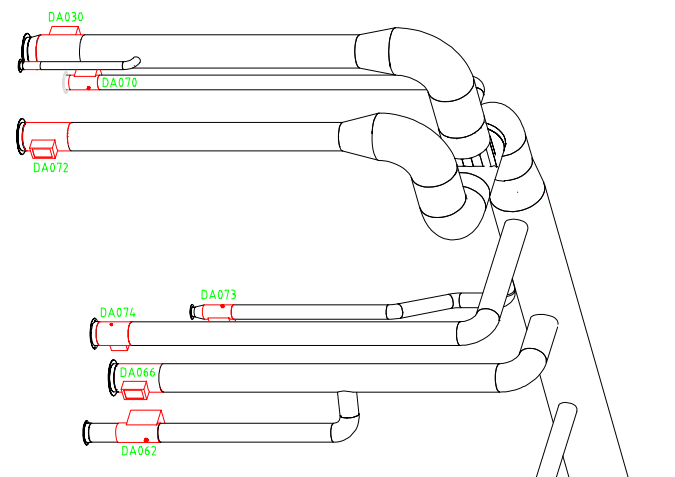
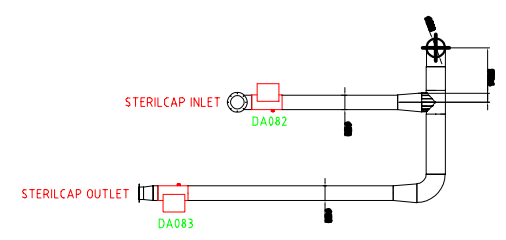
VIEW FROM 'C-C'
SCALE 1:20



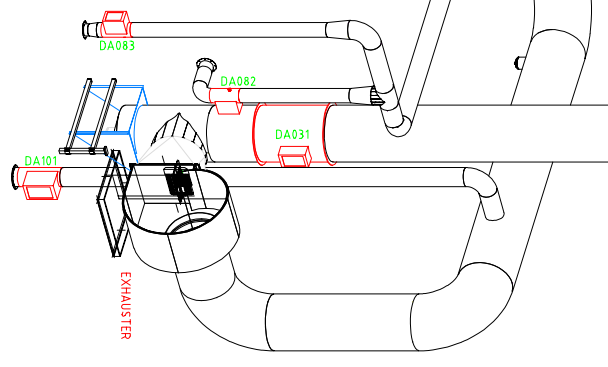
VIEW TOP



SCALE 1:20

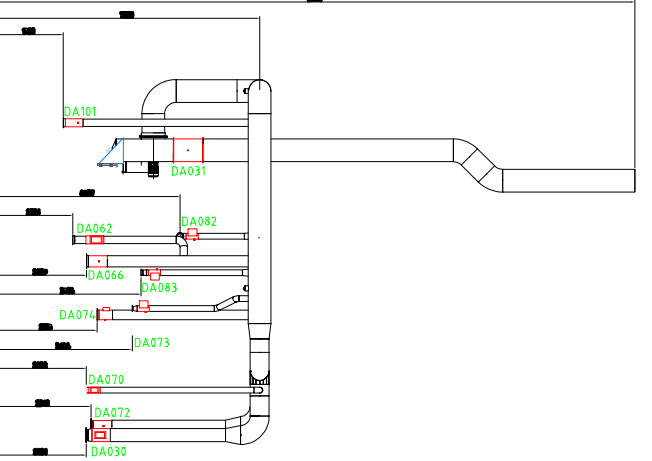


ISO VIEW - SCALE 1:20

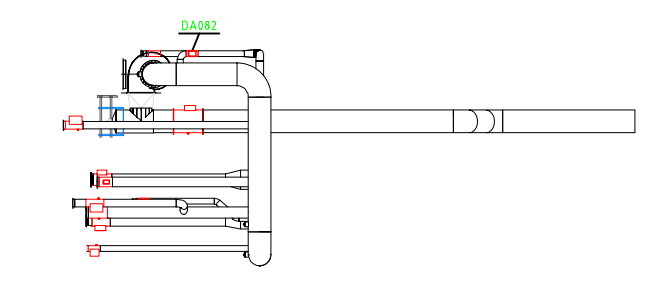


REF.	MACCHINE	PERE DIMENSIONI	N° DI STACCHI
1	ESCAFFOLD	1500x1500x2000	1
2	ESCAFFOLD	1500x1500x2000	1
3	ESCAFFOLD	1500x1500x2000	1
4	ESCAFFOLD	1500x1500x2000	1
5	ESCAFFOLD	1500x1500x2000	1
6	ESCAFFOLD	1500x1500x2000	1
7	ESCAFFOLD	1500x1500x2000	1
8	ESCAFFOLD	1500x1500x2000	1
9	ESCAFFOLD	1500x1500x2000	1
10	ESCAFFOLD	1500x1500x2000	1
11	ESCAFFOLD	1500x1500x2000	1
12	ESCAFFOLD	1500x1500x2000	1
13	ESCAFFOLD	1500x1500x2000	1
14	ESCAFFOLD	1500x1500x2000	1
15	ESCAFFOLD	1500x1500x2000	1
16	ESCAFFOLD	1500x1500x2000	1
17	ESCAFFOLD	1500x1500x2000	1
18	ESCAFFOLD	1500x1500x2000	1
19	ESCAFFOLD	1500x1500x2000	1
20	ESCAFFOLD	1500x1500x2000	1

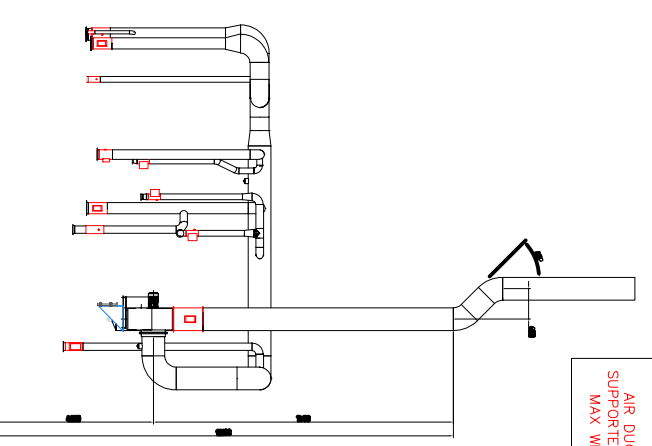
VIEW LAT. DX



VIEW FRONT

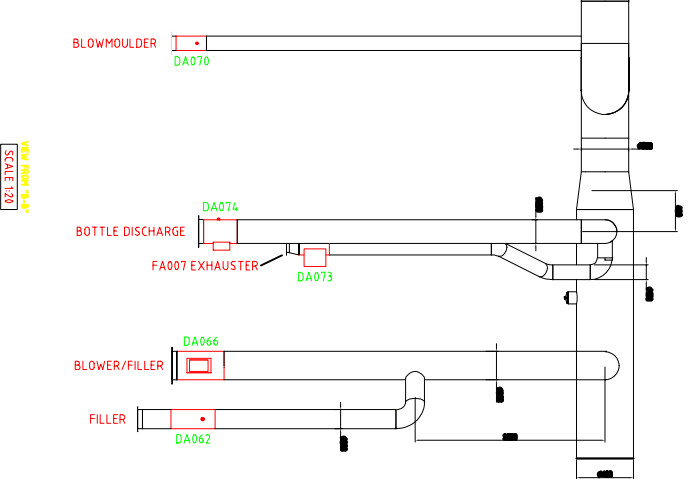


VIEW LAT. SX



AIR DUCTS HAS TO BE SUPPORTED FROM THE ROOF MAX WEIGHT 20 kg/m

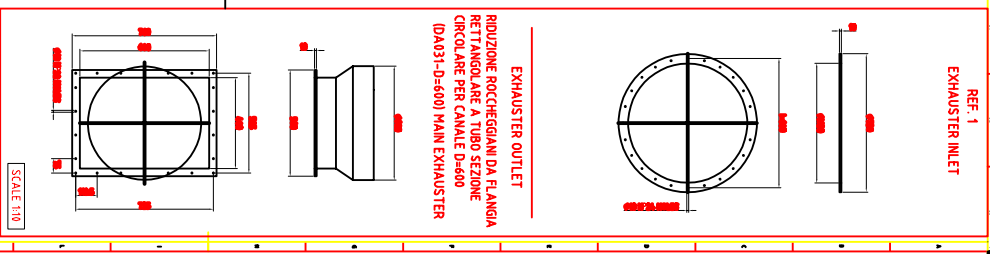
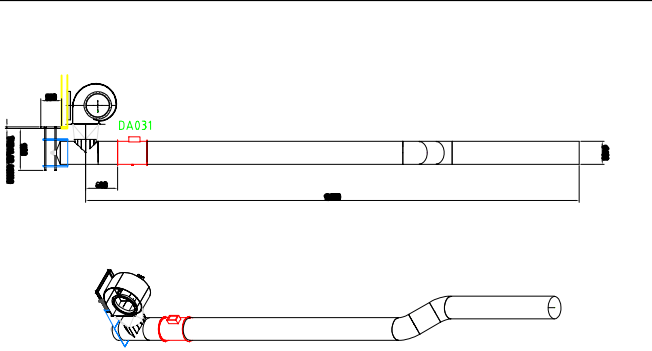
VIEW FROM 'A-A'



SCALE 1:20

1.000 g/m³
2.000 g/m³
3.000 g/m³
4.000 g/m³
5.000 g/m³
6.000 g/m³
7.000 g/m³
8.000 g/m³
9.000 g/m³
10.000 g/m³
11.000 g/m³
12.000 g/m³
13.000 g/m³
14.000 g/m³
15.000 g/m³
16.000 g/m³
17.000 g/m³
18.000 g/m³
19.000 g/m³
20.000 g/m³

EXHAUSTER DUCTS OUTSIDE THE BUILDING



SCALE 1:10

ESHAUSTER OUTLET
RITORNONE POCCHIGIANI DA FLANGIA
RETTANGOLO A TUBO SEZIONE
CIRCOLARE PER CANALE D=600
[DA031-D=600] MAIN EXHAUSTER

REF. 1
EXHAUSTER INLET